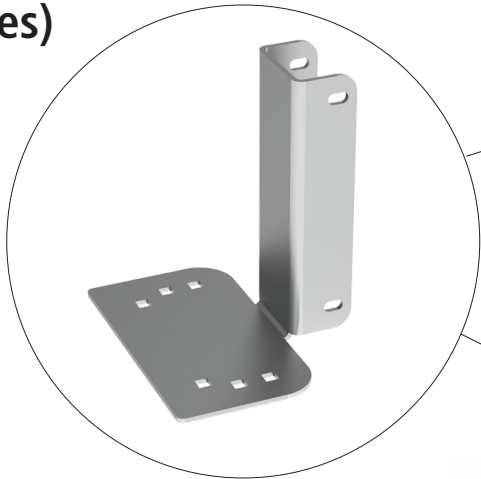


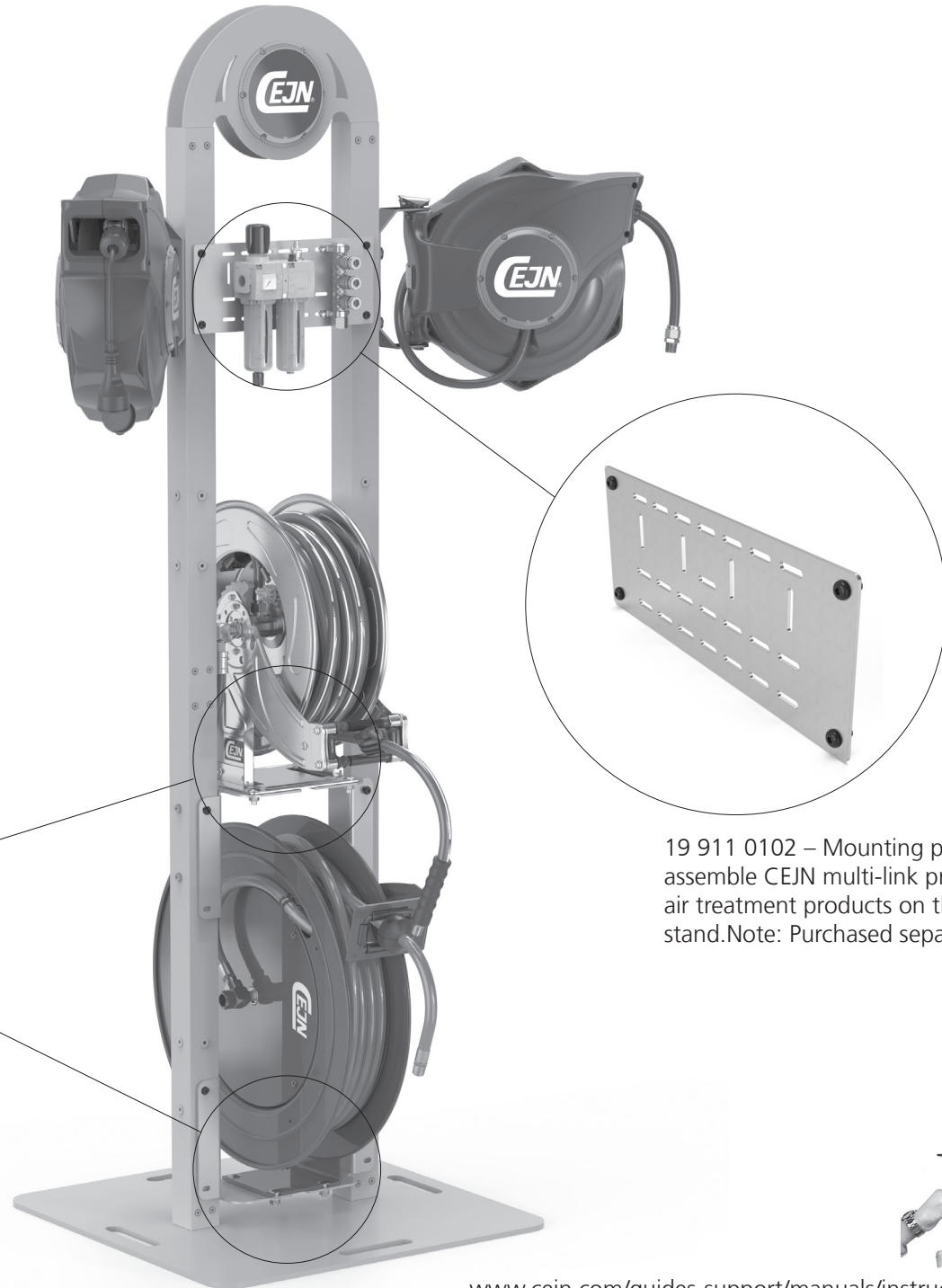


# Reel Shop-display instruction

**New brackets  
(6 holes)**



19 999 0139 - Brackets to mount open hose reels in series 911 and 913 (sizes midi and midi+). Note: Purchased separately.

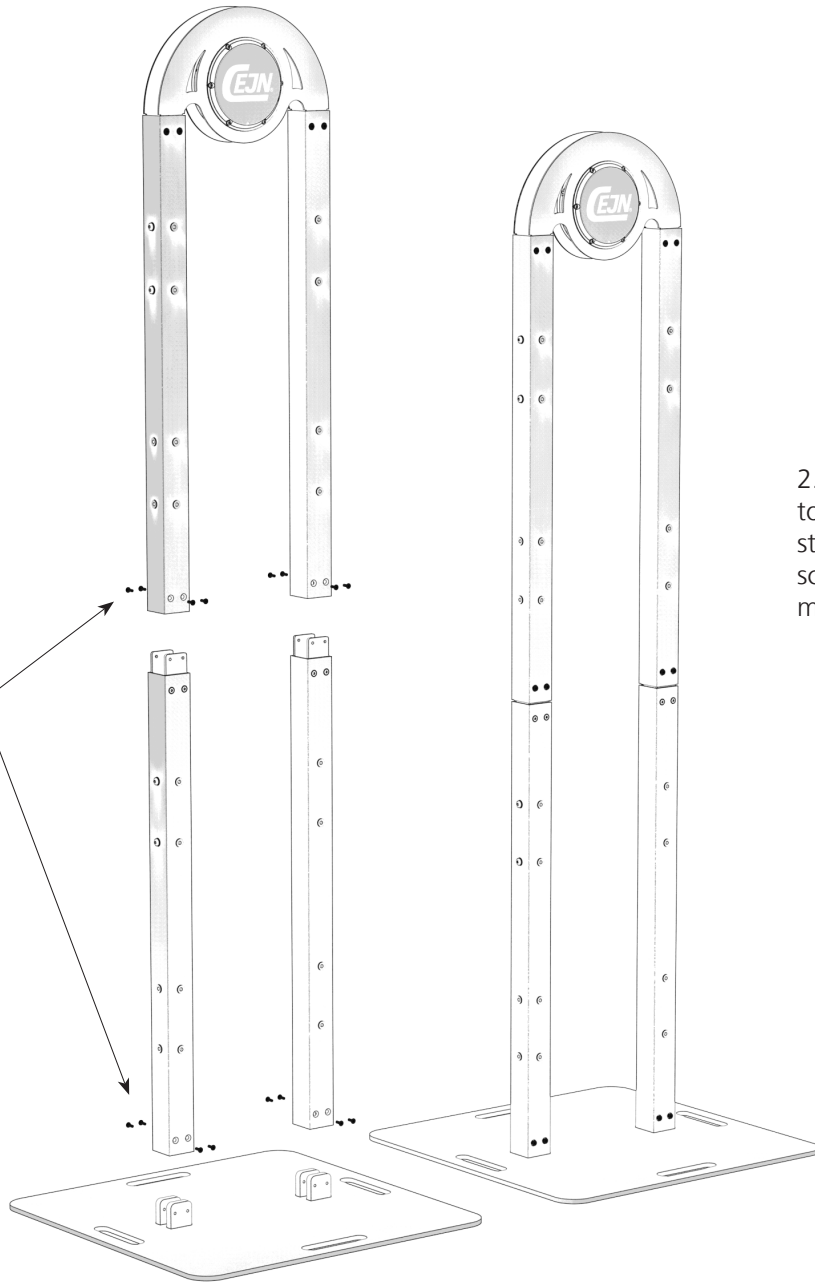


19 911 0102 – Mounting plate to assemble CEJN multi-link products and air treatment products on the demo stand. Note: Purchased separately.

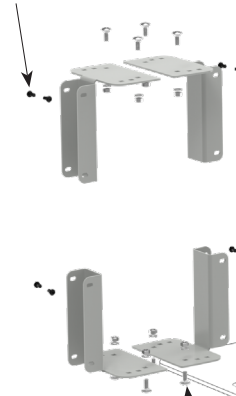




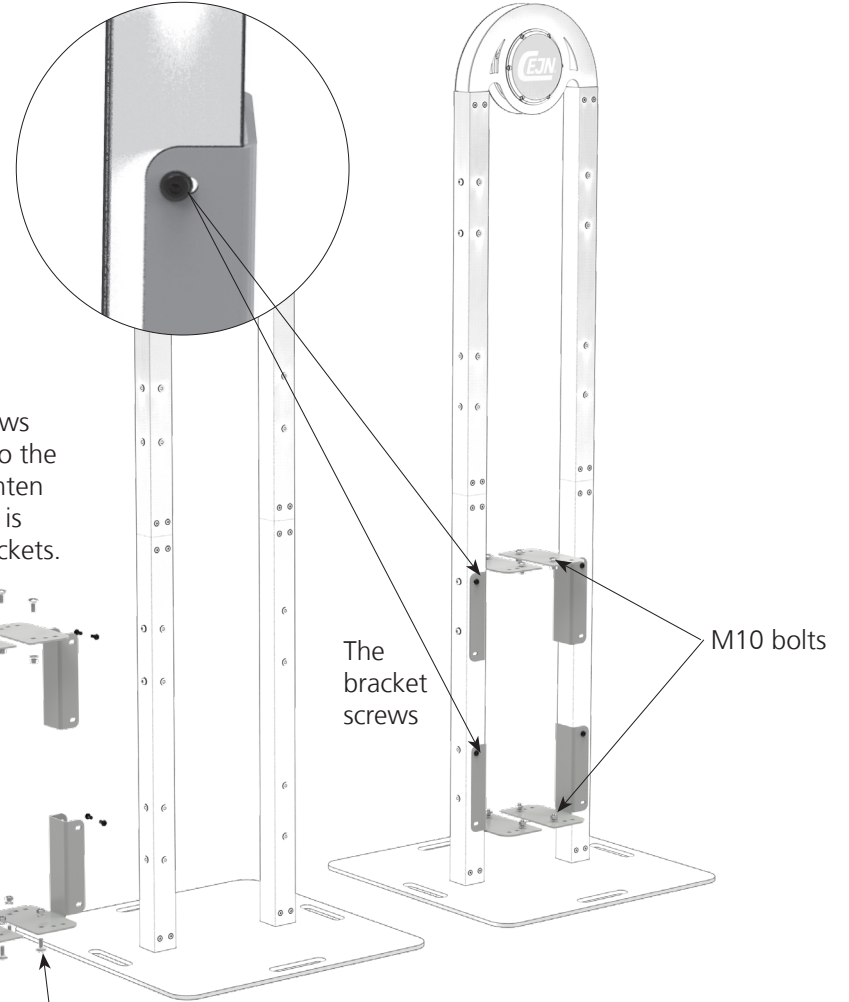
1. Use included screws to assemble display stand

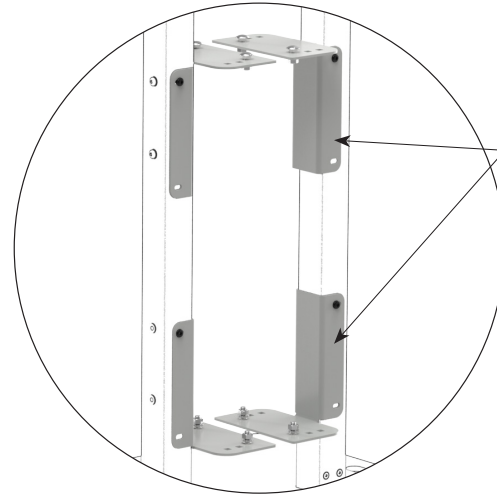
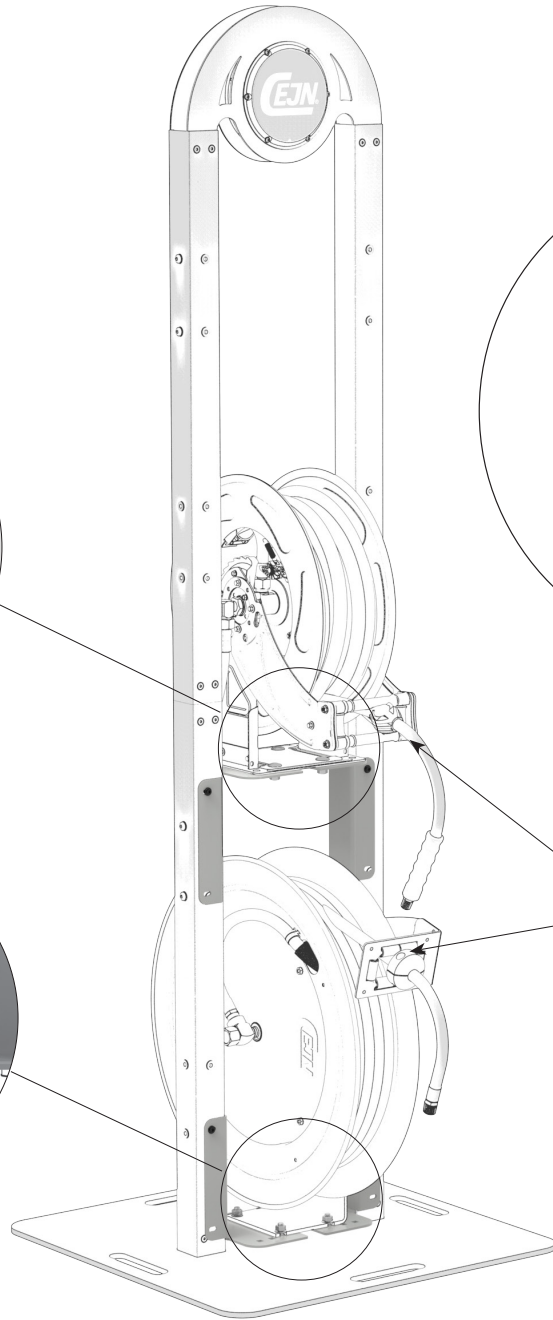
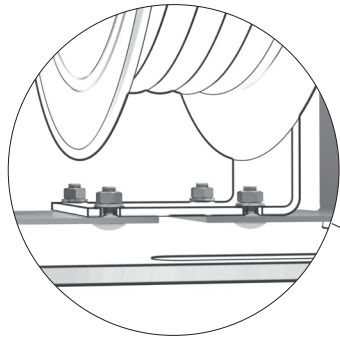
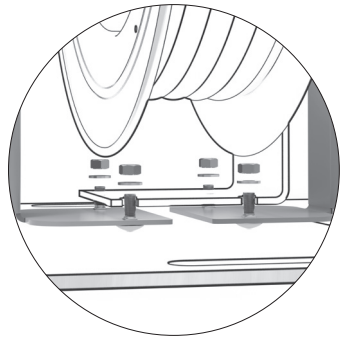
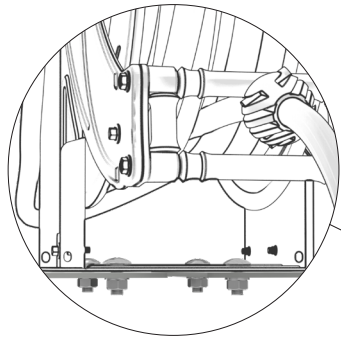
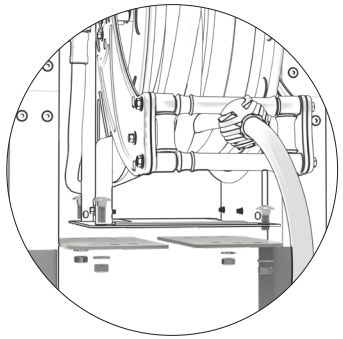


2. Use included screws to mount brackets to the stand, but don't tighten screws until the reel is mounted to the brackets.



3. Use the M10 bolts, washer and nuts to mount the reels to the brackets.





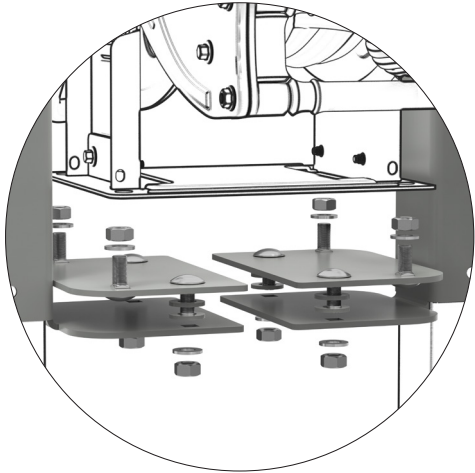
Note: The brackets can be mounted in different positions, use the ones that suits your needs best.

Make sure the Hose guide arm is positioned as shown. Otherwise, adjust the Hose guide arm.

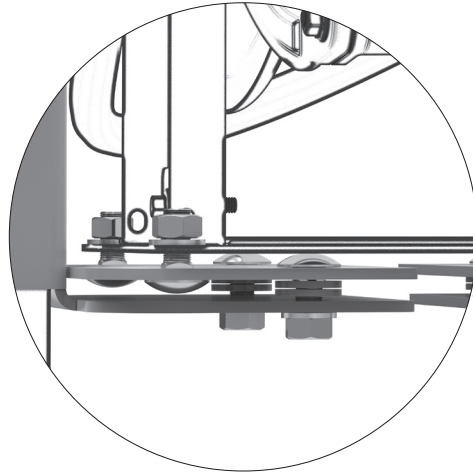




## Old brackets (2 holes)



- Mount the reel (M10 nuts with washer)
- Tighten the nuts
- Tighten the bracket screws



- To mount reels in series 913 on the stand; product 19 913 0101 is needed.



19 913 0101

